

Automated stripping
and blanking.
Kawahara TXS-1100.



Versatile for applications from in-mold labels to folding cartons.

Kawahara TXS-1100.

One of the latent challenges in the global printing industry is the shortage of skilled workers, regardless of the production area.

Production processes are becoming increasingly complex, while time pressure and requirements are increasing. Skilled workers who can keep up with the growing workload and the increasingly demanding processes are harder and harder to find. Added to this is the fact that particularly with manual activities, individual performance and motivation as well as knowledge and experience of the individual employees often lead to results of varying quality and thus predictability.

In addition, the high performance of modern printing presses, particularly in postpress where a lot of tasks are still done manually, necessitates a lot of workers. This applies in particular to the manual blanking of the die-cut individual blanks. What's more, the potential of the machines, for example the Speedmaster™ XL 106-D rotary die cutter, cannot be fully exploited. Heidelberg™ therefore automated a further step in the production workflow by adding Kawahara postpress systems to its portfolio as part of a sales cooperation agreement.

The Kawahara TXS-1100 is the perfect entry-level machine for label and folding carton postpress because of how easy it is to use. It combines consistently high blanking quality and productivity with maximum flexibility for a wide range of blank shapes. With its wide range of materials, it addresses both in-mold label printers and folding carton printers.

4,000 pins make light work of blanking complex shapes.

The Kawahara TXS-1100 uses the patented pin bed system. The big advantage is that the around 4,000 blanking pins of the upper and lower pin bed can be flexibly arranged for a wide variety of blank shapes. For this, they are configured in accordance with the layout pattern of the respective job during setup. During the blanking processes, the pins in the lower pin bed support the blanks; at the same time, the pins in the upper pin bed press the waste down.

The waste and the lateral edges (grid) are separated from the blanks in an automated process. Then the individual blank packages are automatically fed by rake to the removal/depositing device with conveyor system (option). The likewise optional sheet feeder allows sheets to be removed directly from the pallet, and additionally reduces the operator's workload. Pile heights of up to 80 mm can be blanked.

Since the sales cooperation for the Kawahara systems is with the AN Corporation (ANC), installation of the machine as well as customer training and support are handled by service technicians from ANC Machinery (England). ANC Machinery also provides required spare parts as quickly as possible.

➔ heidelberg.com/en/kawahara

Outstanding characteristics. The facts at a glance.



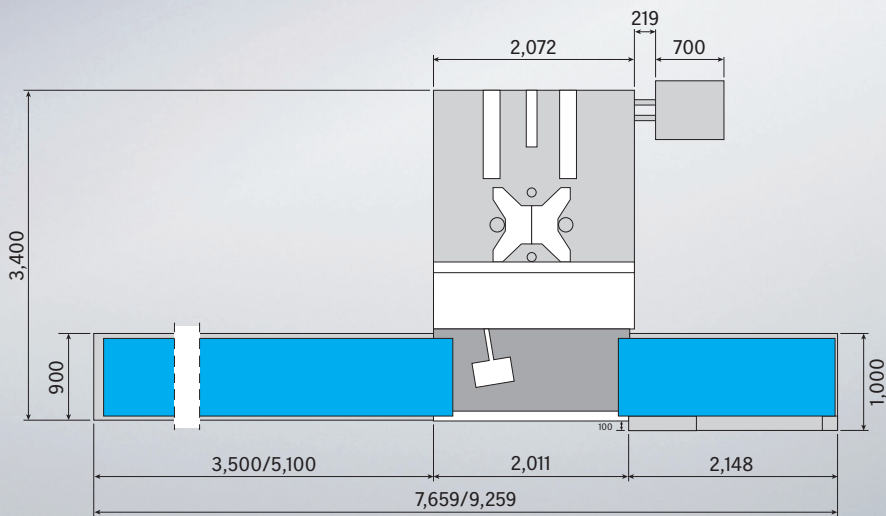
Equipment:

- Touchscreen with easy to understand operating philosophy
- Patented pin bed system with upper and lower pin bed, configured using templates
- Work surface for pile positioning
- DustPro extractor for removing paper dust from the lower pin bed
- Automated sheet feeder with integrated pallet elevator and conveyor for infeed directly from the pallet (option)
- Automatic removal/depositing device with 3.5 m or 5.1 m (137.80 in or 200.79 in) conveyor system for automatically transporting the die-cut blank pile (option)

Benefits at a glance:

- Faster processing of pre-cut sheets
- Automated blanking replaces hand-stripping
- One-person operation
- Blanking without tools
- Inexpensive simple tooling
- Blanking cycle of 30 seconds for a pile of die-cut sheets up to 80 mm high
- Remote service connection
- Data transmission to Management Information System (MIS) possible

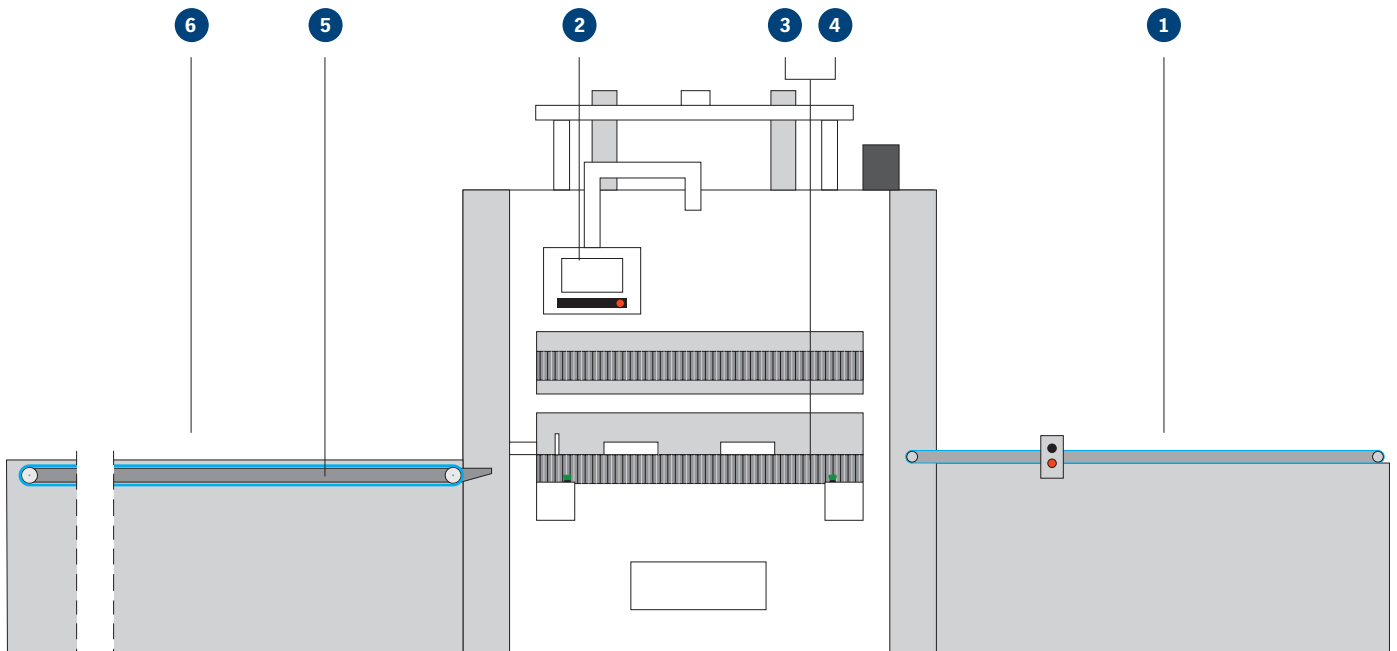
➔ heidelberg.com/en/kawahara



All dimensions in millimeters
(for inch dimensions, please refer to the technical data sheet).

Kawahara TXS-1100:
Innovative next-gen features

- Color touchscreen with intuitive operating philosophy
 - Integrated sheet feeder with pallet elevator for ergonomic working
 - Automatic removal/depositing device available in two lengths
 - Remote diagnostic as standard
 - Omron servo motor for utmost positioning accuracy
-



Kawahara TXS-1100. The machine shown is a sample configuration. Some of the equipment features mentioned are optional.



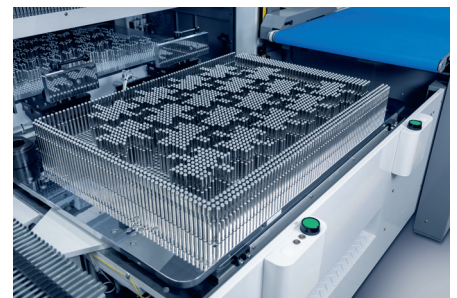
1 Sheet feeder

Easier work through ergonomic feeding of the piles via an integrated belt. (option)



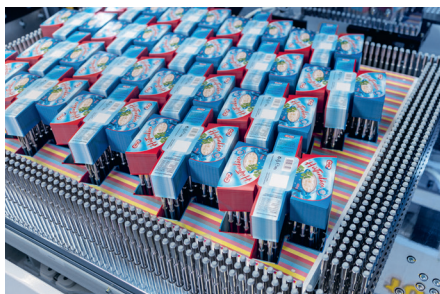
2 Touchscreen

Intuitive operator guidance on the modern, swiveling touchscreen.



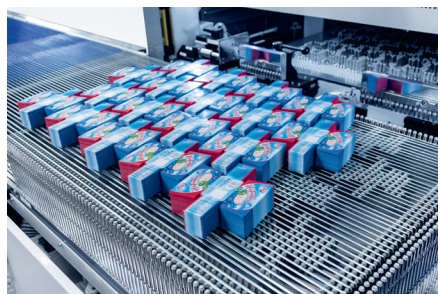
3 Pin bed

The pin bed is quickly set up and ensures controlled, selective transmission of force during blanking.



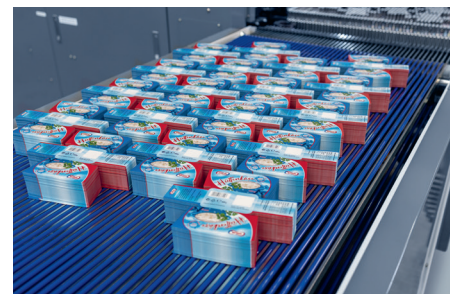
4 Pin bed with blanks

Clean blanking even with a complicated and tightly interconnected layout.



5 Rake

The rake lifts the blanked products out of the pin bed and lays them on the unloading belts. (option)



6 Removal/depositing device

The blanks are transported onwards on unloading belts and can be removed and packed directly from there. (option)

Technical data

Sheet size	
Maximum	1,092 × 800 mm (43.00 in × 31.50 in)
Minimum	580 × 400 mm (22.83 in × 15.75 in)
Stack height	
Maximum	80 mm (3.15 in)
Performance data	
Max. sheets per cycle	Cardboard: 200 sheets/0.4 mm/ 300 g/m ² (200 sheets/0.02 in/0.66 lbs/m ²) IML film: 1,000 sheets/60 µm
Max. sheets per hour	Cardboard: 8,000 sheets IML film: 40,000 sheets
TXS main unit dimensions	
Length	2,010 mm (79.13 in)
Width	3,400 mm (133.86 in)
Height	2,500 mm (98.43 in)
Weight	5.80 tons (requires crane or large forklift with skates to be moved)
FLS-1100 sheet feeder dimensions	
Length	2,200 mm (86.61 in)
Width	1,000 mm (39.37 in)
Height	1,100 mm (43.31 in)
Weight	< 1 ton (2204.62 lbs) (can be moved by a forklift)
ULS-1100 removal/deposit device dimensions	
Length	3,500 mm or 5,100 mm (137.80 in or 200.79 in)
Width	900 mm (35.43 in)
Height	900 mm (35.43 in)
Weight	< 1 ton (can be moved by a forklift)
DustPro extraction device dimensions	
Length	700 mm (27.56 in)
Width	700 mm (27.56 in)
Height	1,220 mm (48 in)
Weight	160 kg (352 lb.)

Power supply	
TXS main unit	7.5 kW/28 A
Extraction device	4 kW/7 A
Sheet feeder	1.25 kW/2.5 A
Removal/deposit device	1.25 kW/2.5 A
Full system	14 kW/41 A
Phasen/Volt	3/380 – 440 V

Pneumatik	
Compressed air (Compressors are not included in the scope of delivery).	Min. 5 bar supply required, 30 liters/minute (1.06 cu ft/min)

Applications

Solid board 250 µm – 1.5 mm (0.06 in)	
Luxury cartons	Applicable
Odd-shaped products	Applicable
Large products (400 mm +/15.75 in +)	Applicable
Hangers, tags	Applicable
Greeting cards	Applicable
Coasters	Applicable
Small cartons	Applicable
Pharmaceutical cartons	Test in advance recommended
Food cartons/sleeves	Test in advance recommended

Plastics (PP) 50 µm – 500 µm	
Horticultural labels	Applicable
Plastic cartons	Applicable
In-mold labels	Applicable
POS products	Applicable
Plastic cards	Test in advance recommended

Microflute E, F, N	
Cartons, boxes	Applicable
Inserts	Applicable
POS products	Applicable

Features and benefits.

Kawahara TXS-1100.

Availability

750 × 1,060 mm
(29.53 × 41.73 in) format

XL 106.

Compatible with all Heidelberg 70 × 100 presses, including the Speedmaster XL 106.

Processes board up to

300 g/m².

(0.66 lbs/m²)

Automation.

Available as a dedicated blanking station or with automated feed and unloading system.

Versatility in blanking.

Processes materials as thin as

50 μm.

Productivity

IML blanking speed



40,000 sheets per hour

with automated feed and unloading system.

Fast setup in under 12 minutes possible.

The productive solution for folding carton and in-mold applications.



4,000 pins make light work of blanking complex shapes.

User-friendliness

Organize the entire production chain and keep the value chain

in-house.

Easy to learn, simple to operate thanks to ergonomically arranged control panels and a touchscreen.

Safe operation.

Confirmed by test certificate.

Publishing information

Sales partner:

Heidelberger Druckmaschinen AG
Kurfuersten-Anlage 52 – 60
69115 Heidelberg
Germany
Phone +49 6221 92-00
Fax +49 6221 92-6999
contact@heidelberg.com
Further details at:
heidelberg.com

Service partner:

ANC Machinery Ltd
17 Boathouse Business Centre
Wisbech PE13 3BH
Great Britain
Phone +44 1945 588754
Mobile +44 7851 630196
sales@ancmachinery.com
Further details at:
ancmachinery.com



Production note

Image credits: Heidelberger Druckmaschinen AG
Platemaking: Suprasetter
Printing: Speedmaster
Finishing: Stahlfolder
Consumables: Saphira
Printed in Germany

Trademarks

Heidelberg, the Heidelberg logotype and Speedmaster are registered trademarks of Heidelberger Druckmaschinen AG in the U.S. and other countries. All other trademarks are property of their respective owners.

Liability for contents

The contents of this brochure have been prepared with great care. No warranty or liability is accepted for the correctness, completeness, or accuracy of the information. There is no guarantee or warranty that the customer will be able to achieve the values and numbers (e.g. relating to the function and performance of the machine and the software) specified in the brochure. The information provided is based on ideal conditions and proper use of the machine and the software. Achieving these values and numbers depends on a variety of factors and circumstances that are outside the control of Heidelberg (e.g. machine settings, technical conditions, ambient conditions, raw materials and supplies used, consumables used, standard of care and maintenance of the machine, expertise of the operator, meeting the respective system requirements, etc.).

Version Oct 2022

ANC Machinery

distributed by
HEIDELBERG

