



Hot-foil embossing and beyond. **Promatrix 106 FC.**



Embellishment and embossing at the highest level.

Promatrix 106 FC.

Hot-foil embossing is in particularly high demand for the embellishment of packaging and labels, especially by the cosmetics and food sectors, but also by the cigarette and premium confectionery industries.. The Promatrix 106 FC can optionally also be used to process hologram embossing. Consequently, the Promatrix 106 FC is the ideal solution for label and packaging printers looking to provide their customers with the best service possible and flexibly enhance their portfolio by additional solutions meeting the market requirements.

The Promatrix 106 FC evolved from the proven Promatrix 106 CS technology, is ideally suited to be used as a professional hot-foil embossing machine and can be used as die-cutter with die-cutting and optional stripping function whenever needed. The machine gives you the flexibility to offer your customers a comprehensive range of products, thereby expanding your business options.

The hot-foil embossing module of the Promatrix 106 FC offers the opportunity to apply metallic effects and structure or relief embossing in a single work pass. The economical technology and low material consumption of the hot-foil embossing machine are particularly impressive. Different feed rates also ensure optimum foil utilization. As a result, the Promatrix 106 FC quickly pays for itself, in particular with long production runs.

But the Promatrix 106 FC can even highly economically emboss and metallically embellish short and shortest runs. Why? The Promatrix 106 FC offers not only easy touch-screen control and comfortable set up of hot-foil data with a separate computer system, but also high flexibility due

to the optional chase changing table, offering comfortable and ergonomic operation and shorter changeover times.

The Promatrix 106 FC gives you all the options, because it processes an incredibly large range of substrates, from paper with a grammage starting at 90 g/m², to cardboard or solid cardboard of up to 2,000 g/m², and corrugated cardboard with a maximum thickness of four millimeters (0.16 in). The Promatrix 106 FC is characterized by outstanding quality with efficient workflow – at processing speeds up to 7,500 sheets per hour. Sheet formats ranging from 300 × 350 mm (14.17 × 15.75 in) to a maximum of 760 × 1,060 mm (29.53 × 41.73 in) can be processed. The basic equipment of the machine already includes three feeding shafts in direction of sheet travel (extendable to up to six) and two additional feeding shafts transversal to the direction of sheet travel. During production, the remaining foil is ejected by a motorized brush system. Optionally, a rewinder can be used to cleanly wind up a maximum of six foil webs.

The Promatrix 106 FC is manufactured by Masterwork, exclusively distributed by Heidelberg and backed up by the professional and renowned, worldwide Heidelberg sales and service network.

➔ heidelberg.com/hot-foiling

Outstanding characteristics. The facts at a glance.



Highlights:

- High machine speed: 7,500 sheets per hour
- High die-cutting pressure of up to 300 metric tons
- 20 individually adjustable heating zones
- MasterSet for precise optical sheet alignment (option)
- High flexibility by a foil path longitudinal and transversal to the direction of sheet travel
- Easy setup and saving of foil-relevant data on separate computer system
- Device for hologram applications (option)
- Chase changer for job preparation outside the machine (option)
- Foil rewinder as an alternative to the standard brush system for foil disposal (option)
- Non-stop function in feeder and delivery
- Stripping unit (option)
- The basic model is already equipped with all functions and options to start hot-foil embossing or die-cutting
- Three longitudinal foil feeding shafts (optional up to six) and two foil feeding shafts transversal to the direction of sheet travel as standard
- Short makeready times due to a smart operating concept and additional options such as the chase changer
- Easy machine and hot-foil unit handling
- Storage of foil-relevant job data
- Good price-performance ratio

➔ heidelberg.com/hot-foiling



长荣股份
MASTERWORK

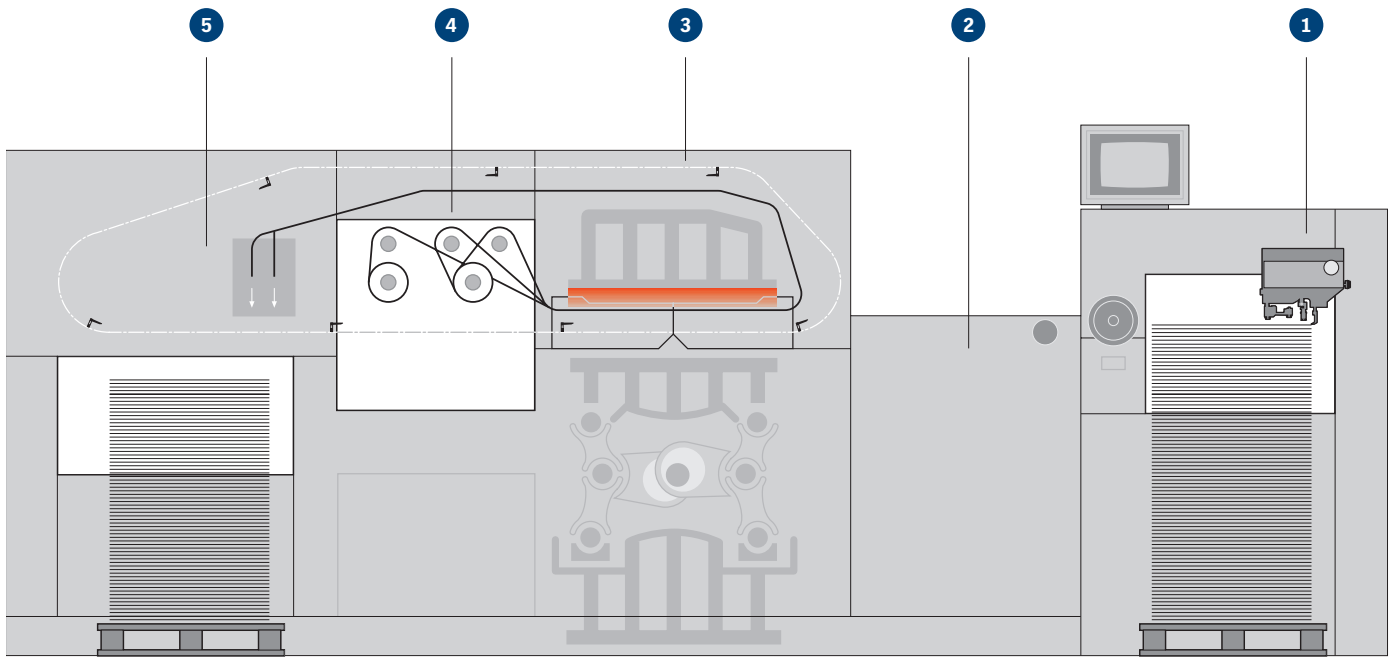


For value retention and maximum performance:

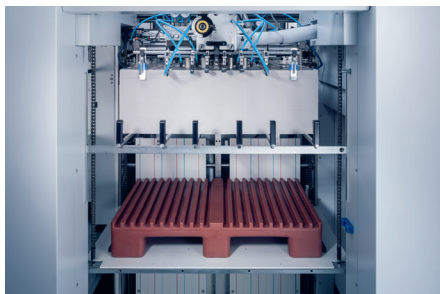
Service agreements

- Service agreements offer security and peace of mind, while at the same time providing you with the benefits of full cost control and simple administration
 - Servicing by highly trained technicians
 - Exclusive use of original service parts
 - Protection of your machine investment
 - Retention of a high resale value
-

→ heidelberg.com/service-agreements

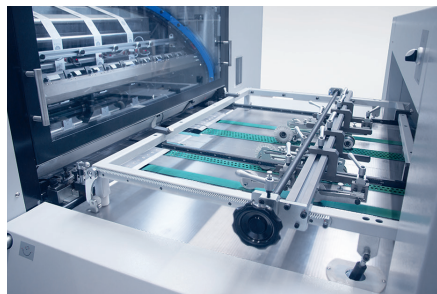


The machine shown is a sample configuration. Some of the equipment features mentioned are optional.



1 Non-stop feeder

- Suction head for paper, cardboard and corrugated cardboard
- Suction head with quick-lock function
- Pile platform with motorized pile side alignment
- Mechanical double-sheet control



2 Feeder table

- Register system
- Side lay with pull/push function on operator and drive side
- Suction tape table
- Central adjustment of brushes and rollers
- Optical sheet alignment via MasterSet (option)
- Ultrasonic double-sheet detector

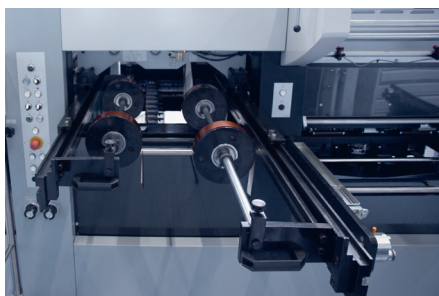


3 Die-cutting station

- Register system
- Motorized die-cutting pressure adjustment
- Pneumatic tool locking and unlocking
- Cutting plate fine adjustment
- Air cushion for easy cutting plate handling
- Chase changer (option)

Technical Data

Processable materials	Promatrix 106 FC
Paper (min.)	90 g/m ²
Solid cardboard (max.)	2,000 g/m ²
Performance data	
Sheet format (min.)/with MasterSet	300 × 350 mm/350 × 400 mm (11.81 × 13.78 in/13.78 × 15.75 in)
Sheet format (max.)	760 × 1,060 mm (29.92 × 41.73 in)
Die-cutting pressure (max.)	3.0 MN/300 t
Machine speed (max.)	7,500 sheets per hour
Hot-foil embossing	
Hot-foil embossing speed (max.)	7,000 sheets per hour
Hologram (option) speed (max.)	5,500 sheets per hour
Temperature	max. 180 °C
Number of heating zones	20
Foil reel diameter: longitudinal transversal	max. 250 mm (9.84 in) max. 200 mm (7.87 in)
Foil width	20 – 1,060 mm (0.79 – 41.73 in)
Pile heights (incl. pallet)	
Feeder pile height (max.): without non-stop in non-stop operation	1,500 mm (59.06 in) 1,200 mm (47.24 in)
Delivery pile height (max.)	1,350 mm (53.15 in)



4 Hot-foil unit

- Three longitudinal foil feeding shafts
- Two transversal foil feeding shafts
- Hologram device (option)
- 20 heating zones (cutting station)
- Telescopic longitudinal foil feeding bars
- Motorized brush system for foil disposal
- Rewinder (option)



5 Delivery

- Non-stop rolling carpet
- Pneumatic flap for test sheet removal
- Brake brush with motorized brake force adjustment



6 Hot-foil computer system

- Calculation of foil feeding steps
- Adjustment of temperature and die-cutting pressure
- Hologram application control
- Job data storage
- Simulation of foil feeds

Features and benefits.

Promatrix 106 FC.

Availability



Embellishment of
packagings
and
labels

for cosmetics, foodstuff,
cigarettes, and premium
confectionery.

**Transversal and longitudinal
foiling paths.**

**Hot-foil embossing –
hologram applica-
tions – die-cutting –
stripping.**

Format: 760 × 1,060 mm
(29.92 × 41.73 in)
Compatible with all Heidelberg
70 × 100 Speedmaster presses,
including the **Speedmaster XL 106.**

Productivity



Speed

7,500
sheets per hour.

MasterSet:

Optical sheet regis-
ter system for high
register accuracy
and minimization
of sheet stops in the
infeed station.

Die-cutting pressure
300 metric tons.

User- friendliness



**Safe
operation.**
Confirmed by
GS certification.

Easy operation
of the well-designed
computer system for
foil application.

Sales and Service Partner:
Heidelberger Druckmaschinen AG
Kurfuersten-Anlage 52 – 60
69115 Heidelberg
Germany
Phone +49 6221 92-00
Fax +49 6221 92-6999
heidelberg.com



Publishing Information

Printed in: 12/20
Photographs: Heidelberger Druckmaschinen AG
Platemaking: Suprasetter
Printing: Speedmaster
Finishing: Stahlfolder
Consumables: Saphira
Fonts: Heidelberg Antiqua ML, Heidelberg Gothic ML
Printed in Germany

Trademarks

Heidelberg, the Heidelberg logotype are registered trademarks of Heidelberger Druckmaschinen AG in the U.S. and other countries. All other trademarks are property of their respective owners.

For details on the emissions of the Promatrix 106 FC, please visit us at heidelberg.com/emissiondetails

Subject to technical modifications and other changes.

Liability for contents

The contents of this brochure have been prepared with great care. No warranty or liability is accepted for the correctness, completeness, or accuracy of the information. There is no guarantee that the customer will be able to achieve the values and numbers (e.g. relating to the function and performance of the machine and the software) specified in the brochure. The information provided is based on ideal conditions and proper use of the machine and the software. Achieving these values and numbers depends on a variety of factors and circumstances that are outside the control of Heidelberg (e.g. machine settings, technical conditions, ambient conditions, raw materials and supplies used, consumables used, standard of care and maintenance of the machine, expertise of the operator, meeting the respective system requirements, etc.). They therefore constitute neither characteristics of the machine or the software nor a guarantee. This brochure does not constitute a contractual offer and is solely for the purpose of providing (non-binding) information.



business partner of
HEIDELBERG

